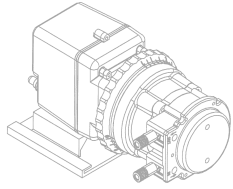




# PRODUCT LINE SPECIFICATIONS **CLASSIC SERIES 45/85**



### U.S. Gallon Ranges:

Series 45.....0.2-50 GPD  
 Series 85.....0.3-85 GPD

Max GPD for pressures 0-100 psi is 40 gallons.  
 See output charts or call factory for assistance.

### Metric Ranges:

Series 45.....0.6-151.4 LPD  
 Series 85.....0.9-257.4 LPD

Max LPD for pressures 0-6.9 bar is 121.1 liters per day.

## Series 45 M – Adjustable Low Pressure: 0 to 25 psi (1.72 bar) Maximum Discharge Pressure

MODEL TUBE FEED RATE CONTROL SETTING: Outputs per day in U.S. Gallons @ 60Hz (black, left) & Liters @ 50Hz (green, right)

		L	1	2	3	4	5	6	7	8	9	10
45M1	#1	0.2	0.6	0.9	1.2	1.5	1.8	2.1	2.4	2.7	3.0	3.3
45M2	#2	0.5	1.5	2.0	2.7	3.6	4.5	5.4	6.3	7.2	8.1	9.0
45M3	#3	1.1	3.3	4.4	6.6	8.8	11.0	13.2	15.4	17.6	19.8	22.0
45M4	#4	1.7	5.1	7.0	10.6	14.0	17.5	21.0	24.5	28.0	31.5	35.0
45M5	#5	2.5	7.6	10.0	15.1	20.0	25.0	30.0	35.0	40.0	45.0	50.0

## Series 45 MHP – Adjustable High Pressure: 0 to 100 psi (6.9 bar) Maximum Discharge Pressure

MODEL TUBE FEED RATE CONTROL SETTING: Outputs per day in U.S. Gallons @ 60Hz (black, left) & Liters @ 50Hz (green, right)

		L	1	2	3	4	5	6	7	8	9	10
45MHP2	#1	0.2	0.6	0.9	1.2	1.5	1.8	2.1	2.4	2.7	3.0	3.3
45MHP10	#2	0.5	1.5	2.0	2.7	3.6	4.5	5.4	6.3	7.2	8.1	9.0
45MHP22	#7	1.1	3.3	4.4	6.6	8.8	11.0	13.2	15.4	17.6	19.8	22.0

## Series 85 M – Adjustable Low Pressure: 0 to 25 psi (1.72 bar) Maximum Discharge Pressure

MODEL TUBE FEED RATE CONTROL SETTING: Outputs per day in U.S. Gallons @ 60Hz (black, left) & Liters @ 50Hz (green, right)

		L	1	2	3	4	5	6	7	8	9	10
85M1	#1	0.3	0.9	1.5	2.0	2.5	3.0	3.5	4.0	4.5	5.0	5.5
85M2	#2	0.8	2.4	3.4	5.1	6.8	8.5	10.2	11.9	13.6	15.3	17.0
85M3	#3	2.0	6.1	8.0	12.1	16.0	20.0	24.0	28.0	32.0	36.0	40.0
85M4	#4	3.0	9.1	12.0	18.2	24.0	30.0	36.0	42.0	48.0	54.0	60.0
85M5	#5	4.3	13.0	17.0	25.7	34.0	42.5	51.0	59.5	68.0	76.5	85.0

## Series 85 MHP – Adjustable High Pressure: 0 to 100 psi (6.9 bar) Maximum Discharge Pressure

MODEL TUBE FEED RATE CONTROL SETTING: Outputs per day in U.S. Gallons @ 60Hz (black, left) & Liters @ 50Hz (green, right)

		L	1	2	3	4	5	6	7	8	9	10
85MHP5	#1	0.3	0.9	1.5	2.0	2.5	3.0	3.5	4.0	4.5	5.0	5.5
85MHP17	#2	0.8	2.4	3.4	5.1	6.8	8.5	10.2	11.9	13.6	15.3	17.0
85MHP40	#7	2.0	6.1	8.0	12.1	16.0	20.0	24.0	28.0	32.0	36.0	40.0

**Discharge Pressures**..... 0-100 psi; 0-6.9 bar

**Output Ranges**..... 0.2-85 gallons/day;  
 0.6-257.4 liters/day

**Turndown Ratio**..... (adjustable models)  
 20:1, 5% to 100%  
 in 2.5% increments

**Voltages Available**..... 120v 60 Hz; 220v 60 Hz;  
 230v 50 Hz; 250v 50 Hz

**Motor RPM**..... 26 (45 series);  
 44 (85 series)

**Amp Draw**..... 1.70 120v; 0.9 220v, 230v, 250v

**Horsepower**..... 1/30 fractional

**Connections**..... 1/4", 3/8" or 6mm  
 suction/discharge tubing

**Shipping Weight**..... 6 lbs. (2.72 kg)-single head, fixed  
 8 lbs. (3.63 kg)-single head adjustable

**Viscosity**..... Maximum 1500 cps; over 1500 cps  
 consult factory

**Operating Temperature**..... Maximum 125 degrees Fahrenheit/  
 51.6 degrees Celsius

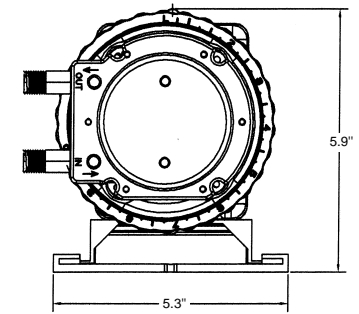
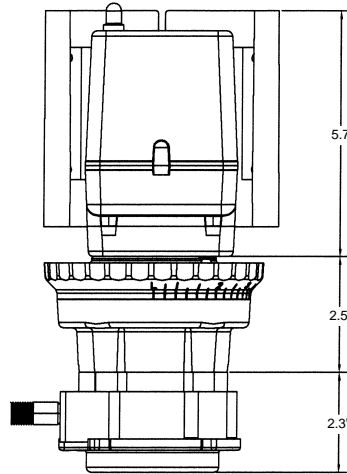
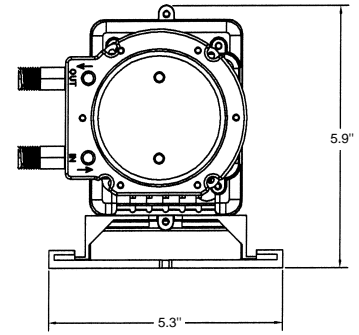
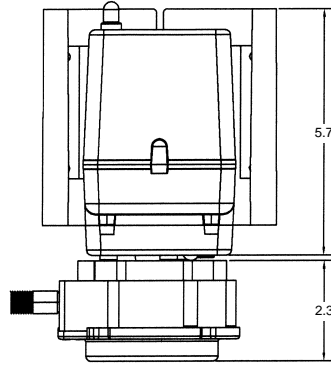
# PRODUCT LINE SPECIFICATIONS **CLASSIC SERIES 45/85**



**Single head fixed rate**



**Single head adjustable**



## Materials of Construction:

**All Housings\***.....Lexan® Polycarbonate Plastic

**Peristaltic Tube\*\***.....Santoprene® TPR-FDA Approved  
**Check Valve Duckbill**

**Suction/Discharge Tubing**.....LDPE Polyethylene-NSF/FDA Approved  
**Ferrules (1/4" & 6mm)**

**Tube Fittings**.....Type 1 Rigid PVC-NSF Listed  
**Connecting Nuts**  
**Check Valve Fittings**  
**Ceramic Weight Clip**

**Suction Weight**.....Ceramic

**All Fasteners**.....Stainless Steel

\* Lexan® is a registered trademark of General Electric. Consult General Electric for chemical resistance of Lexan®.

\*\*Santoprene® is a registered trademark of Advanced Elastomer System. Refer to chemical resistance chart in Stenner catalog for material compatibility.

Material for all wetted parts have been tested and approved for potable water applications.

## Reliable Chemical Feed Pumps Since 1957

Stenner Classic Series metering pumps are self-priming and the 3-point roller assembly provides a positive 2-point seal on the pump tube at all times. This eliminates the need for anti-siphoning valves and diaphragms. The patented mechanical feed rate control (adjustable models) allows the pump's output to be scaled from 5% to 100% with the simple turn of the dial. Consult output chart for specific settings.



3174 DeSalvo Road  
Jacksonville, FL 32246  
Phone: 904-641-1666  
US Toll Free: 800-683-2378  
Fax: 904-642-1012

sales@stenner.com  
**www.stenner.com**  
Hours of Operation (EST):  
Mon.-Thu.: 7 am - 5 pm  
Friday: 7 am - Noon



SANITATION LISTED  
CONFORMS TO  
STD. NSF-50  
REGULATION SYSTEM  
COMPONENTS FOR SWIMMING  
POOLS, SPAS, OR HOT TUBS



METERING PUMP  
LP7585  
**SP**  
NRTL / C

